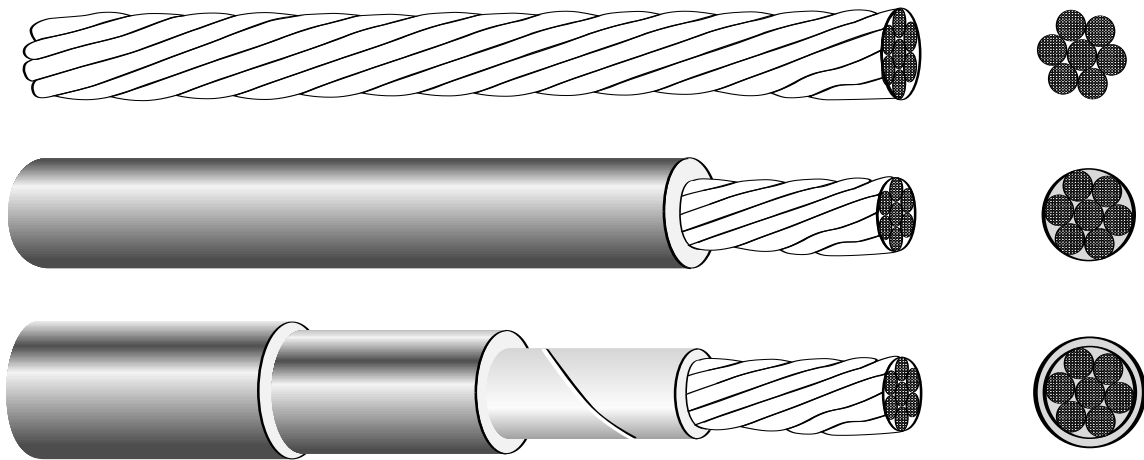




RR1 Bond Strand Bare & Insulated



Applications

For use in low voltage track circuit applications, NECCO Bond Strand is available both bare and insulated.

Construction

A single, tinned over bare cadmium-bronze conductor (7 x 19 concentric strands, each 0.0132 inch) with an

overall circular mil area of 22,173 can be insulated with either polyvinyl chloride (PVC) or rubber/neoprene.

Advantages

An extremely flexible, yet rugged cable, our Bond Strand is clean stripping, and the specially tempered

cadmium bronze hold its shape while being terminated.

Ordering Information

Part No.	Size AWG	Stranding	Cond. Dia. (Inch)	Insul. Thick. (Inch)	Insul. Material	Approx. O.D. (Inch)	Approx. Net Wt. (Lbs./MFT.)
NEG2045C	6	133	.200	Bare	—	.200	78
NEG133564P	6	133	.200	.062	PVC	.325	124
NEG133B464PO	6	133	.200	.062	PVC	.325	124
NEG133464P	6	133	.200	.062	PVC	.325	124
NEG133664P	6	133	.200	.094	PVC	.390	147
				.078	Rubber		
NEG2048C	6	133	.200	and .062	Neoprene	.480	168

All dimensions are subject to normal industry tolerances.

