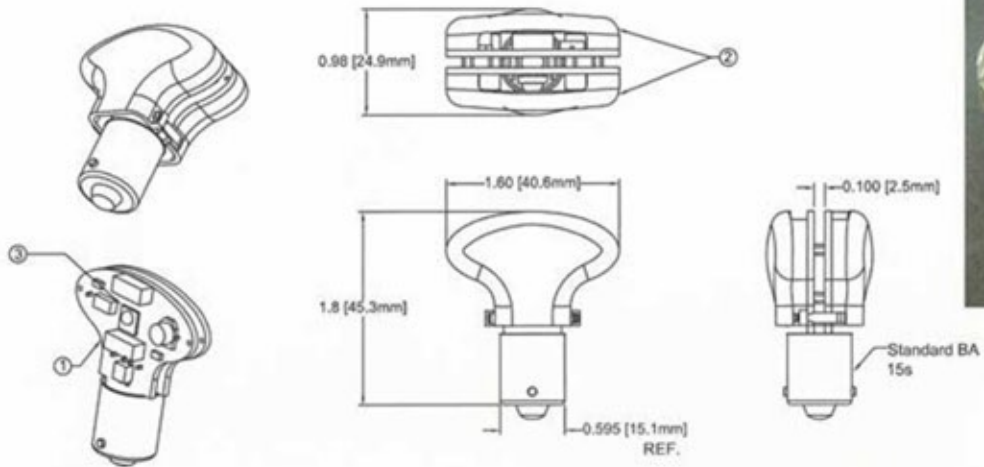




## 4-Inch LED Replacement Bulb

ITEM	QTY	PART NUMBER	PART DESCRIPTION
1	1	PCBA-1025	PCB LAMP ASSEMBLY
2	2	CLP-1041	LIGHT PIPE LENS
3	2	BDL-1199	LED, RED

REV.	DESCRIPTION	DATE	APPROVED
A	Engineering Release	02/29/08	M. C.
B	Updated BOM and Notes	06/23/08	M. C.



LED Part No.	Chip			Lens Appearance	Electro-Optical Data @ 8 - 12 V			Lamp Viewing Angle (Deg)
	Material	Emitted Color	Dominant Wave Length $\lambda_d$ (nm)		Temp Coef. $\Delta\lambda_d(\Delta T)$	Pd (W)	Lumens@1 LED/Side Typ.	
BDL-1199	AlInGaAlP	RED	620   645	WATER CLEAR	0.05	2.7	30	140

### Ordering Information

Item	Description	NEG Number
1	12v Replacement RED LED Bulb for 4" Gate Lights	NEG-18200R

